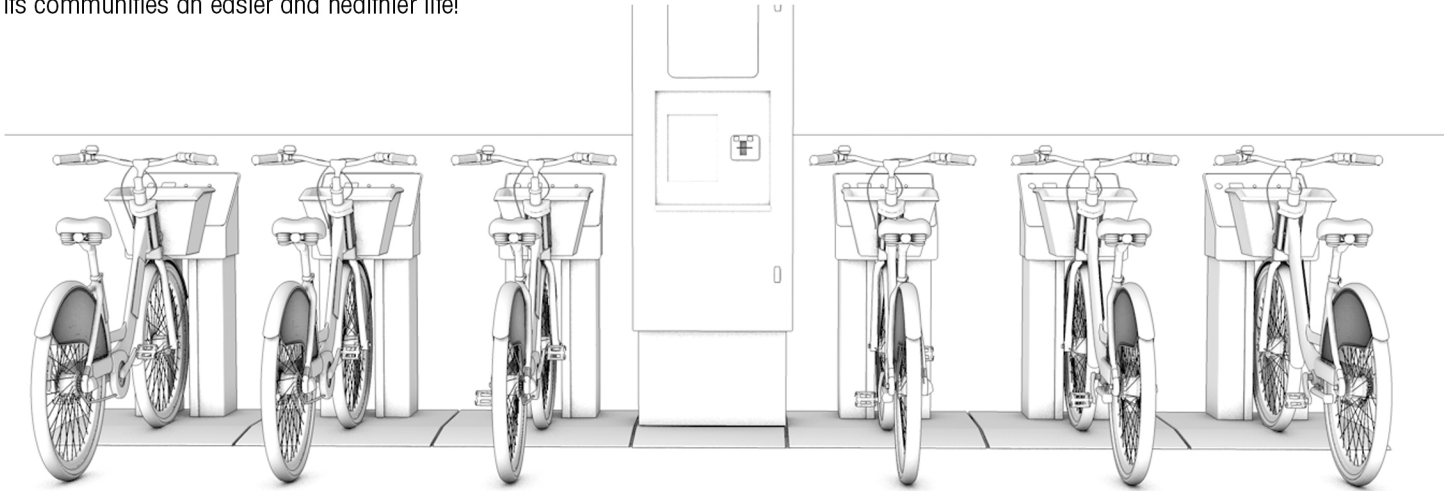


CycloShare

CYCLOSHARE BIKESHARE SOLUTION
BIKESTATION DATA SHEET

BIKE SHARING

Bike Sharing is an innovative transportation system ideal for short distance point-to-point trips providing users the ability to pick up a bicycle at any self-serve automated bike station and return it to any other bike station located within the system's service area. Bike Sharing differs from traditional bicycle rental services in that it is typically used for short, spontaneous trips that are combined with other forms of public transportation 'for the first and last mile'. Bike sharing users enjoy the benefits of owning a bike without all the hassles...it offers its communities an easier and healthier life!



CYCLOSHARE TEAM

CycloShare is a Miami-based company that has worked closely with different local and foreign jurisdictions of cities and developed and launched a variety of bike sharing programs. Since 2008 the founders of CycloShare developed some of the earliest forms of bike sharing systems and pioneered the bike sharing concept in North America. Thanks to its accumulated experience CycloShare continues to expand into new and exciting locations that are ready to experience the benefits of bike sharing. CycloShare secures a unique place within the industry by offering a one-stop bike sharing solution center; we design, customize, deploy, train and manage our exclusive programs.

CYCLOSHARE can facilitate all bicycle sharing program needs:

- Large-scale Bikeshare Program Operations Management
- Manufacture, Assembly and Maintenance of Bicycles
- Maintenance, Redistribution and Installation/Redeployment of Assets
- Bikeshare Station and Kiosk Development & Manufacturing
- Bikeshare Marketing Programs
- Community outreach
- Funding Strategies
- Permitting & System Installation

Whether commuting to work, running errands or simply enjoying a nice bike ride for exercise, a CycloShare bike sharing system accomplishes these goals and improves the quality of life for communities while easing traffic and parking congestion with reliable and sustainable transportation.

CYCLOSHARE serves all types of clients:

- Municipalities / Public Sector
- Colleges, Universities & other Educational Institutions

Our Commitment

At CycloShare we believe that a city full of healthy, fit and green-thinking citizens is a happier city. We've proven that the carbon footprint can be diminished and people are happier when they have the option of riding a bike to get to their destination. We're committed to being part of this worldwide trend that is making our planet a more livable place by depending more on a greener way of mobility.

BIKE STATION

Each bike station is composed of one kiosk and a maximum of 64 bike docks. Because it's not always easy to integrate a station in any urban design project, we designed the station to be extremely versatile in terms of bike dock positioning and easily configurable to fit almost any street or sidewalk space. Bike docks can be installed in a single line on both sides of the kiosk (left and right)

CONFIGURATION 1: For narrow areas (parking spaces), all bikes are docked in the same direction (Figure 1)

CONFIGURATION 2: For areas where the station footprint allows, the bikes may be docked facing each other maximizing the space (Figure 2)

2 YEARS WARRANTY ON BIKE & EQUIPMENT
excludes normal wear and tear

FIGURE 1

16-BIKE STATION LAYOUT 38.25'

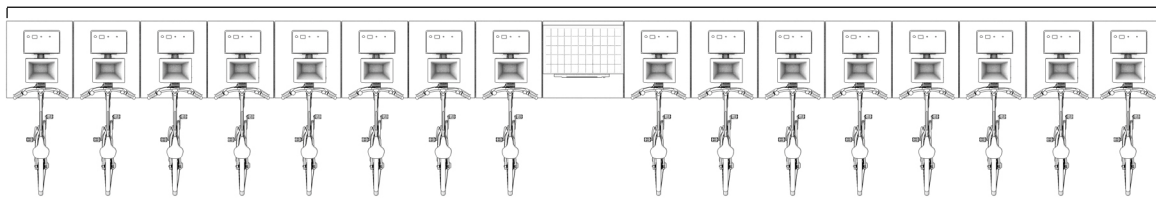
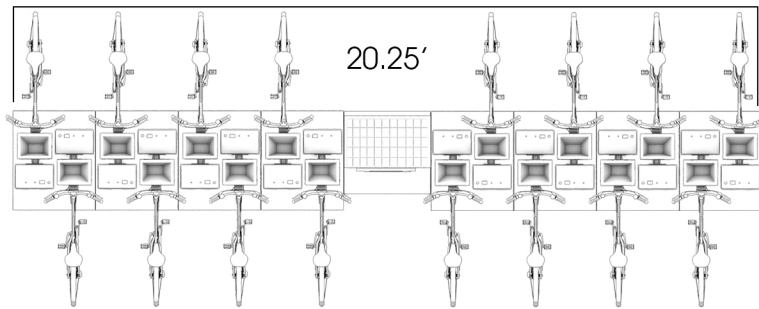
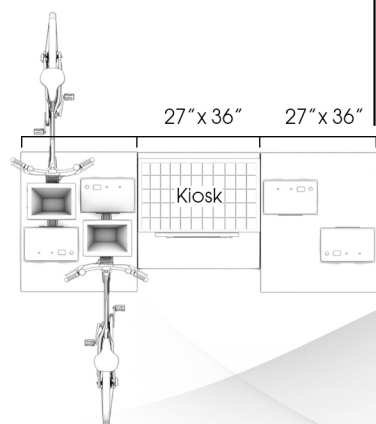
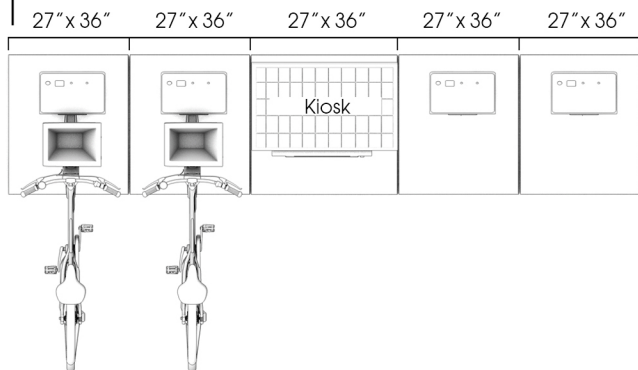


FIGURE 2

16-BIKE DOUBLE STATION LAYOUT 20.25'



NOTES:
Secure kiosk and single dock base to existing or new concrete pads



KIOSK

Made of aluminum, the kiosk is designed to be resistant to all types of urban conditions. All kiosks communicate information in real time to a central back-office, allowing operators to easily monitor them. Their integrated 3G modems are compatible with most service providers (if not compatible with your service provider, other types of modems can be used). Powered by default with solar panels, each kiosk has enough energy to drive a color LCD touch screen, a payment card reader and any other optional devices listed below. A mix of technology and simplicity, each kiosk offers an optimal user experience by providing a rich user interface that is intuitive and easy to use.

FIGURE 1

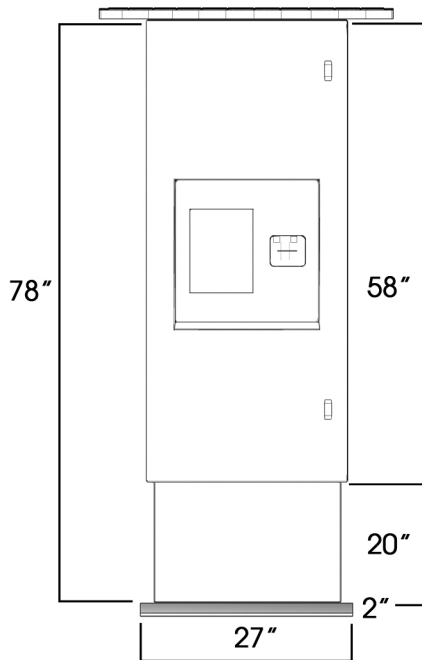
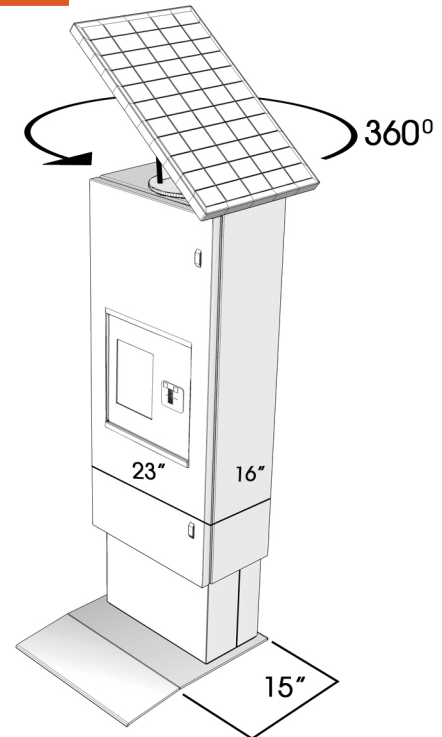


FIGURE 2



KIOSK HOUSING:

H: 79"; W: 23"; D: 18" (Excluding solar panel)

H: 88"; W: 23"; D: 18" (Including solar panel)

FOOTPRINT:

H: 2"; W: 27"; D: 29"

CONSTRUCTION:

- Aluminum
- Hard Anodized
- Personalized color

COMMUNICATION:

- Integrated 3G modem (standard)

COMPONENTS SCREEN

- 10.4" Color LCD touch screen
- 1024 x 768 Resolution
- Tempered glass (excellent impact resistance)

POWER SUPPLY:

- One battery (12V, 100 AH, 75lbs.)
- Charging the batteries:
 - Solar powered

SOLAR PANELS:

- One 100 W panel integrated on top of the terminal
- 12V 10A Solar charge controller

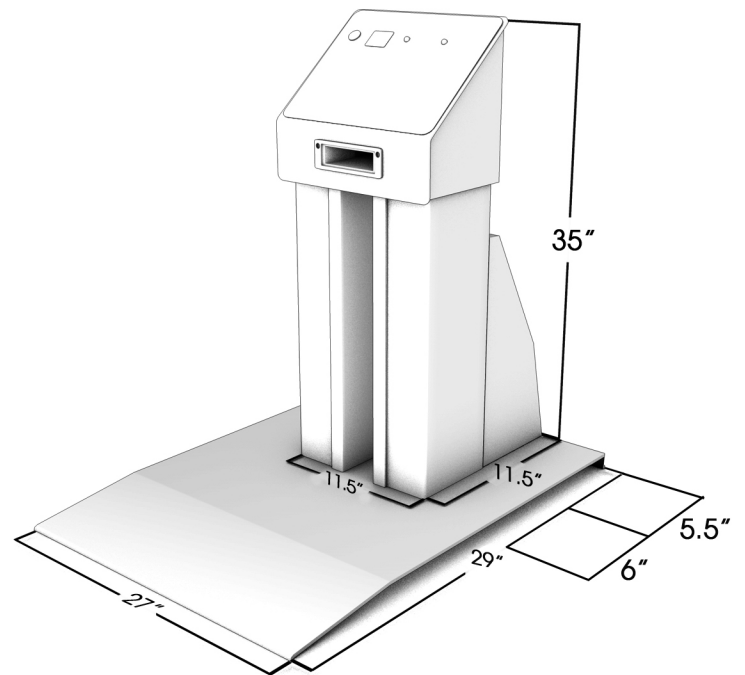
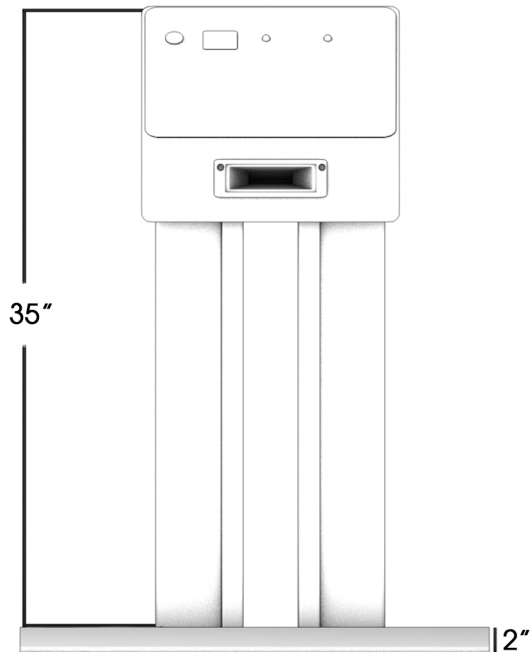
PAYMENT CARD READER:

- Accepts payments using magnetic stripe cards
- Reader is used in accordance to the PCI-DSS and PA-DSS standards

BIKE DOCK

The bike dock is designed to securely hold bikes in place between trips. With its proprietary locking mechanism and aluminum hard anodized body, each dock is designed to resist harsh conditions and vandalism. In order to easily release bikes, each dock is equipped with a Member Key Reader that can read a member key fob.

FIGURE 1



HOUSING DIMENSIONS:

H: 35", W: 11.5", D: 11.5"

CONSTRUCTION:

- Hard anodized aluminum
- Personalized paint color
- Proprietary locking mechanism

FOOTPRINT (BASE):

H: 2", W: 27", D: 29"

DOCK DASHBOARD

- RFID Card reader
- 2 LED lights
- PIEZZO wake-up switch

KEY PASS

DIMENSIONS:

H: 1", W: 2"

KEY PASS:

- RFID Card reader
- Secure encryption
- Advertising space



MANAGEMENT SOFTWARE

USER FRIENDLY MANAGEMENT SOFTWARE

- Latest Technology, WEB interface
- Branded Web interface.
- Fully integrated payment functionality with recurring payment support

BACK OFFICE USER ADMINISTRATION

- Create & Add users
- Manage Roles & Screen Rights

CRM (CUSTOMER RELATIONSHIP MANAGER)

- Track all customer transactions history
- View all customers billing history
- Manage and Create tickets for customers

BIKE MANAGEMENT

- Track history by transaction (date & time)
- Track all bike maintenance history
- Track bike parts inventory
- Obtain current bike status reports (Lost, check-in, checked-out, maintenance etc...)

STATION MANAGEMENT

- Manage Stations by City and Subzones
- View all Stations on Map
- Get real time station status
- Update station pricing in real time from back-office software

REVENUE REPORTING

- Obtain daily revenue reports
- Track revenue by stations
- View all revenue generated by casual users and Members


PROMOTIONS

- Manage and create promotions easily
- Promo codes can be used directly on Stations
- Track all promo codes used

MEMBER MANAGEMENT WEB INTERFACE

- Manage and update member profile and payment options
- Update member profile and payment
- Track usage
- Renew membership, add membership or cancel membership

IPHONE & ANDROID APP

- See all stations in real time on map
 - See distance of stations from your current location in real time
 - See available bikes and open docks in real time
- 

BIKE

CONSTRUCTION:

1. Powder Coated aluminum frame
2. Rear and front Roller Brakes
3. Shaft Drive
4. Rear and Front LED Lights
5. 26" Alloy wheels
6. Front and rear mudguards
7. ABS Plastic Basket and Fender
8. Anti theft adjustable height bike seat
9. Internal 3 speed
10. RFID Reader
11. Kick-Stand
12. Bicycle Safety Bell
13. Comfortable Handle Bars
14. Bike Anchor (Probe)
15. Front Hub Dynamo

